

Ouroboros - White

Design concept

Life brings many challenges and difficulties. When you're in the middle of it, it's hard to see clearly. What feels like a dead end might actually have a way out from a different perspective.

Sometimes life seems stuck, but in the long run, what looks like stepping backward is actually moving forward. As long as you can break free from old frameworks, you can keep moving ahead.

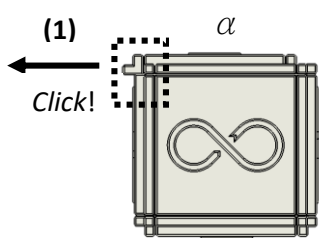
May the box turn your backward into forward!



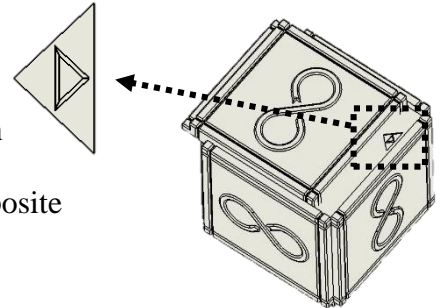
Ouroboros - White

Solution

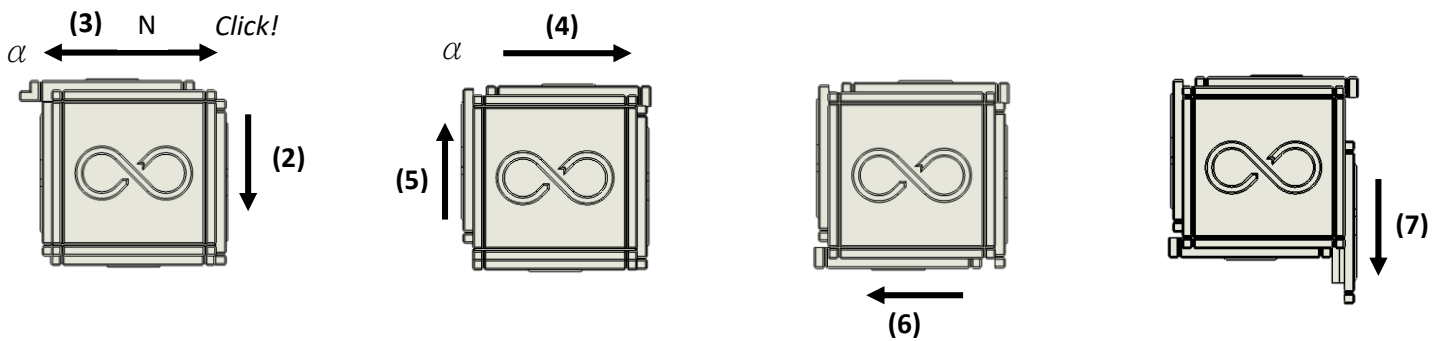
- Find the L-shaped plate (α). It is the only plate that makes a click sound when moved.



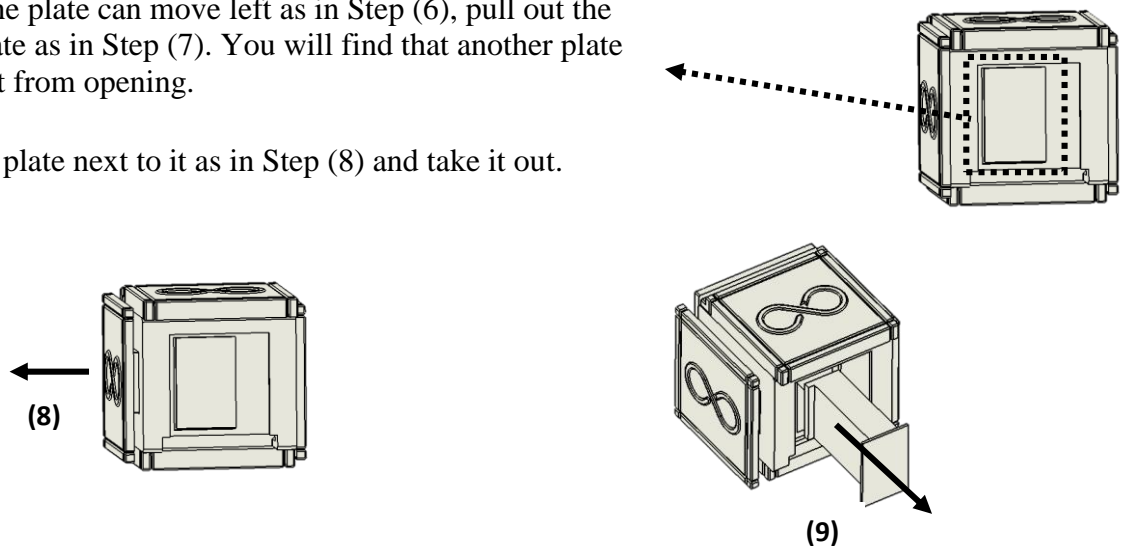
- After moving α , a small pattern will appear next to it.
- The arrow shows the usual direction in which plate α moves. The small arrow inside implies that it can sometimes move in the opposite direction.



- Repeatedly slide α back and forth until it can move to the right as in Step (4). This will allow you to lift the left plate as in Step (5). The required number of α moves (N , from 1 to 16) is unknown and must be found by trial and error.



- When the plate can move left as in Step (6), pull out the right plate as in Step (7). You will find that another plate blocks it from opening.
- Pull the plate next to it as in Step (8) and take it out.



- You've got the Black Ouroboros token. Well done!

